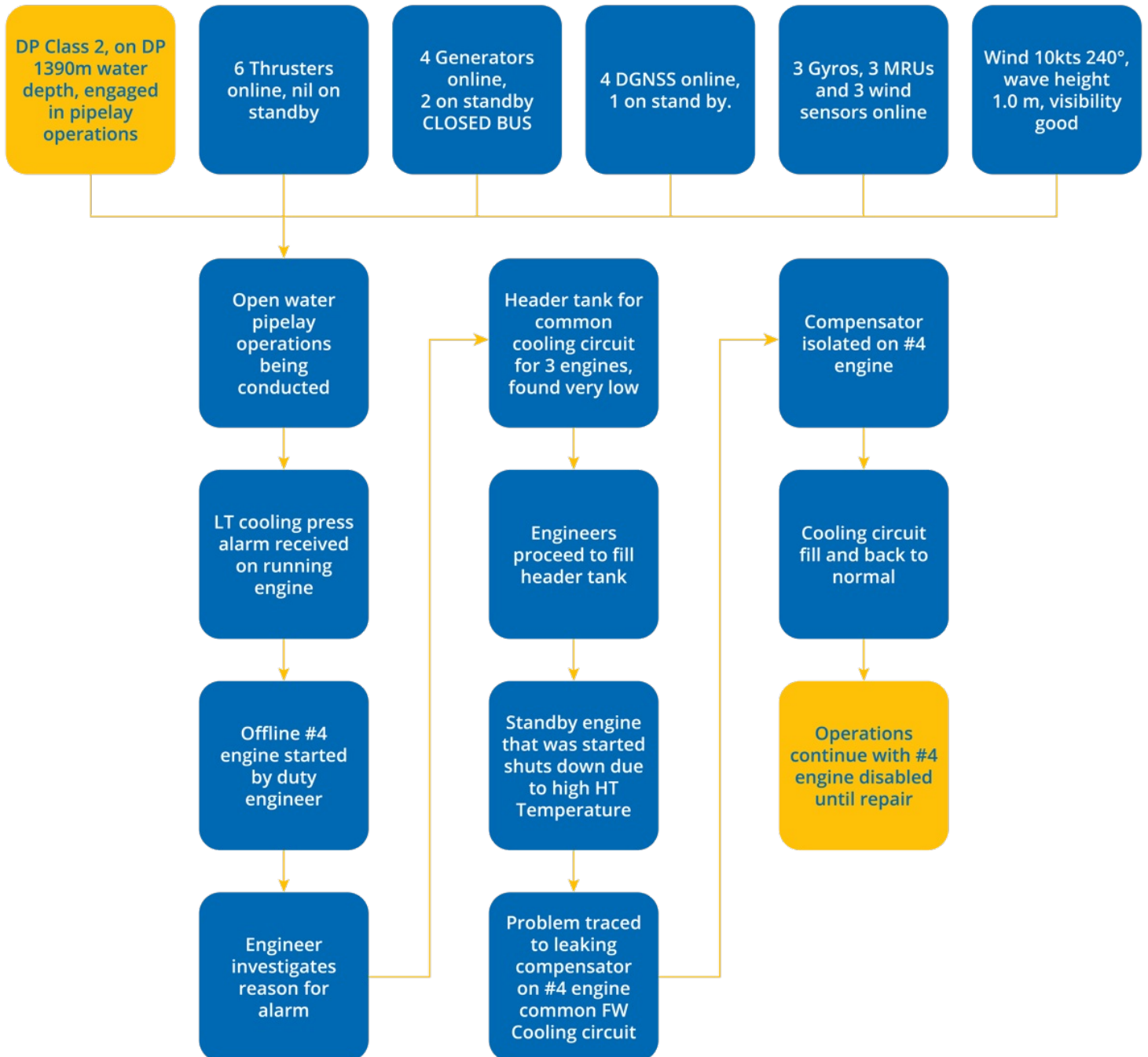


## Swift action saved stress – Know your vessel

Observation ●

DP Event • Published on 13 December 2021 • Generated on 24 January 2025 • DPE 04/21

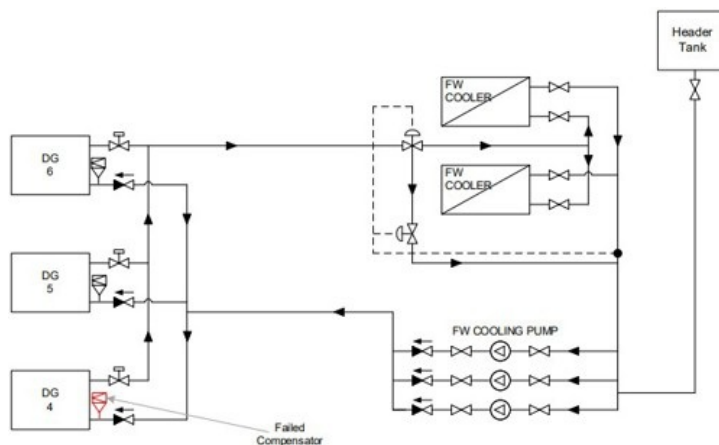
Familiarity of Key DP Personnel with the vessels Critical DP systems can lead to a successful outcome following a failure.



### Comments

This is a positive report which highlights how familiarity of Key DP Personnel with the vessels Critical DP systems can lead to a successful outcome following a failure, which in this case had the potential to remove one redundant group.

We can all get into these situations, but it is how we react to them that defines us.



Example of the centralised LTFW system

## Considerations

This event highlights the need for DP Key Personnel having good knowledge of their roles within the DP system of their vessel.

Qualification and Knowledge Requirements of Key DP Personnel (IMCA M117), Section 7– gives guidance for Key DP Personnel.

The report highlights the importance of the detection elements of the DP system, and the requirements for periodic testing, such as low-level alarms and pressure transducers.

Although not related to the event the number of same principle references seems inadequate. IMO MSC Circ. 645 and IMO MSC.1 Circ. 1580 guidance documents state that for DP 2 or 3 operations:

There is a requirement for 3 independent position references simultaneously available during operation based on two different principles.

*The case studies and observations above have been compiled from information received by IMCA. All vessel, client, and operational data has been removed from the narrative to ensure anonymity. Case studies are not intended as guidance on the safe conduct of operations, but rather to assist vessel managers, DP operators, and technical crew.*

*IMCA makes every effort to ensure both the accuracy and reliability of the information, but it is not liable for any guidance and/or recommendation and/or statement herein contained.*

Any queries should be directed to [DP team at IMCA](#). Share your DP incidents with [IMCA online](#). Sign-up to receive DP event bulletins [straight to your email](#).