

New concern related to Divex LP hoses

Safety Flash Published on 1 December 2000 Generated on 20 January 2025 IMCA SF 07/00

We have received the attached Divex Safety Notice regarding further failures of their LP hoses.

DIVEX SAFETY NOTICE

**Safety Notice No. DVX003/2000
New Concern related to Divex
L.P.Hoses**



Divex Ltd.
Enterprise Drive
Westhill, Aberdeen
AB32 6TQ, United Kingdom

Telephone +44 (0)1224 740145
Facsimile +44 (0)1224 740172
e-mail info@divex.co.uk

Further to our Safety Notice No DVX001/2000 dated 13 June 2000 Divex implemented improved manufacturing and test procedures to alleviate potential failure of L.P. Hoses in service.

Unfortunately, we have been made aware of two failures of hoses that were manufactured in accordance with the improved procedure. Two hoses, being used at different locations, have been reported to part from the ferrule at the mask/helmet end of the hose. The failed hoses had been fully pressure tested, load tested and certified by Divex. Despite the above these failures have occurred and to date we have not established the cause of failure.

In accordance with the company's commitment to safety we are issuing this Safety Notice containing the following information until such time as an up-date can be issued confirming the cause of the reported failures.

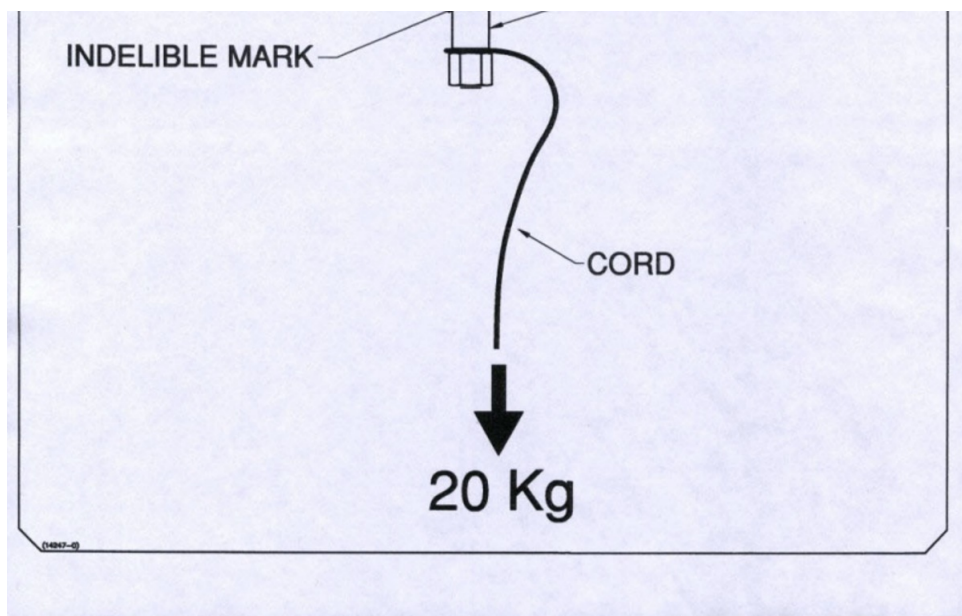
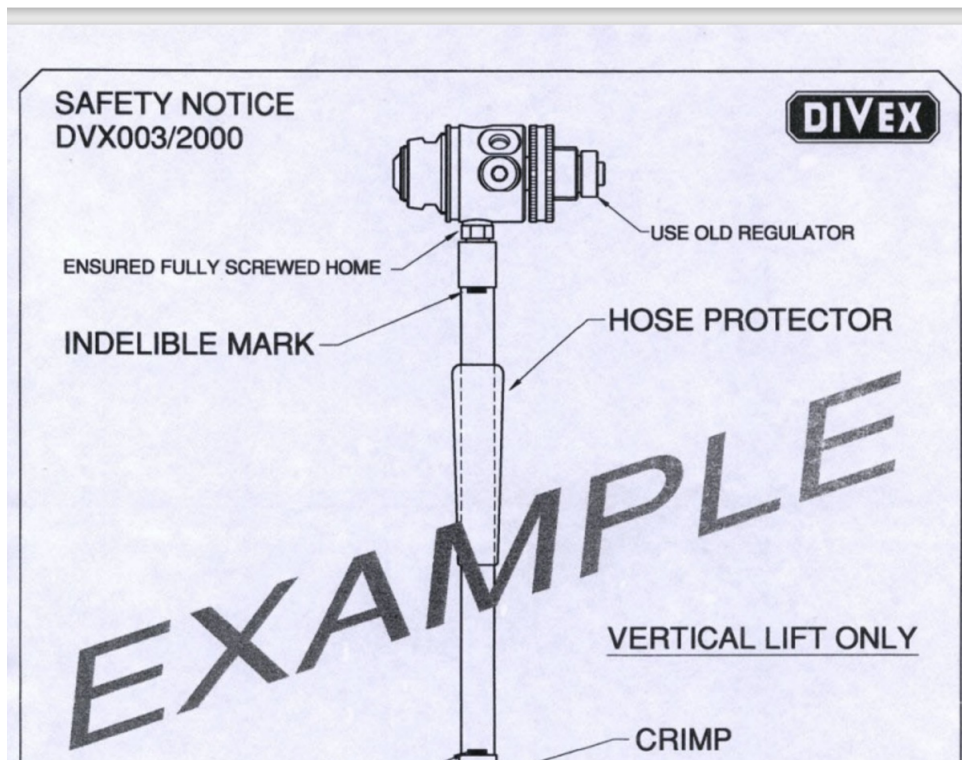
Please ensure all L.P.Hoses supplied by Divex to your organisation are checked as detailed below prior to continued use:

1. With an indelible pen mark the rear of the crimp where it meets the hose at both ends (this may require the hose protector to be pulled back).
2. With the hose fully screwed into the first stage regulator and the other end mated to a suitable fitting apply a load of 20 KGs to the hose assembly for one minute minimum - see attached sketch.
3. Remove the load from the hose assembly and check to ensure that the indelible pen marks have not moved from their original position.
4. Hoses that show no signs of movement can continue in service and the indelible mark may be used as an ongoing check/ confirmation of no movement of hose.
5. Any hose that shows signs of movement **must** be withdrawn from use and returned to Divex immediately.
6. **Mark the returned hoses for the attention of Kathleen Scanlan**

Divex apologise for the inconvenience caused to our valued customers by this problem but believe this is the only course of action until we have established the cause of failure. Once established we will immediately issue a further statement.

SIGNED _____ DATED: 8 December 2000
G.Gilbert, Senior Manager, Safety and Personnel

Attached: Sketch No DVX003/2000



IMCA Safety Flashes summarise key safety matters and incidents, allowing lessons to be more easily learnt for the benefit of the entire offshore industry.

The effectiveness of the IMCA Safety Flash system depends on the industry sharing information and so avoiding repeat incidents. Incidents are classified according to IOGP's Life Saving Rules.

All information is anonymised or sanitised, as appropriate, and warnings for graphic content included where possible.

IMCA makes every effort to ensure both the accuracy and reliability of the information shared, but is not be liable for any guidance and/or recommendation and/or statement herein contained.

The information contained in this document does not fulfil or replace any individual's or Member's legal, regulatory or other duties or obligations in respect of their

operations. Individuals and Members remain solely responsible for the safe, lawful and proper conduct of their operations.

Share your safety incidents with [IMCA online](#). Sign-up to receive Safety Flashes [straight to your email](#).